

# FLOW CONTROL VALVES GAUGE ISOLATOR VALVES



The range of flow control valves, are available ex-stock. Single acting/or, double acting flow control valves are available in sizes from 1/8" up to 2" with either aluminum knobs or plastic handles.

Please call 011 458 1200 or email [sales@alba.co.za](mailto:sales@alba.co.za) for a quote

---

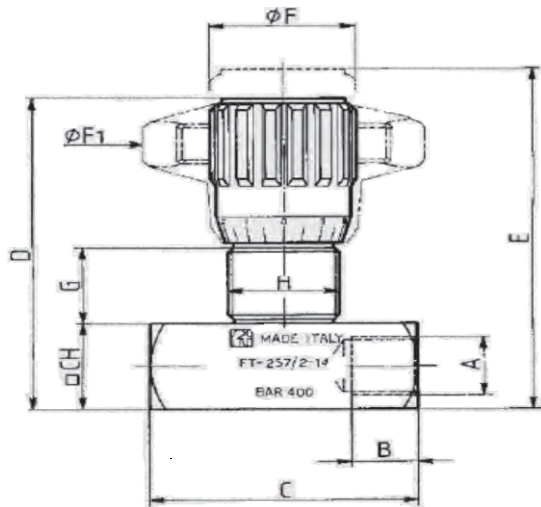
© Alba Hydraulics (PTY) LTD 2016

[www.alba.co.za](http://www.alba.co.za)

1

# FLOW CONTROL VALVES

## FT 257/2 - MP - BSP - Double Acting In Line - Plastic Handle



Type	A BSP	B	C	D	E	F	G	H	CH	Weight Kg
14	1/4	12.5	48	70	77	50	17	M20x1	20	0.205
38	3/8	13.5	59	83	92	70	19	M25x1.5	25	0.385
12	1/2	15	67	96	106	80	20	M30x1.5	30	0.615
34	3/4	17	84	119	131	100	25	M40x1.5	40	1.300
100	1"	21	105	151	167	120	34	M50x1.5	50	2.600
114	1 1/4	23	120	156	172	120	34	M50x1.5	55	3.000

Type	Port section sq. cm	CV factor fully open	W orking pressure bar	Min Burst pressure bar	W orking temp. °C	Filtration grade µm	Max. flow rate
14	0.19	9.6	400	1600	-20/+100	25	15
38	0.50	15.3	400	1600	-20/+100	25	30
12	0.78	26.5	400	1600	-20/+100	25	50
34	1.32	40.3	400	1600	-20/+100	25	80
100	2.26	70	400	1300	-20/+100	25	150
114	2.26	101	400	1300	-20/+100	25	200

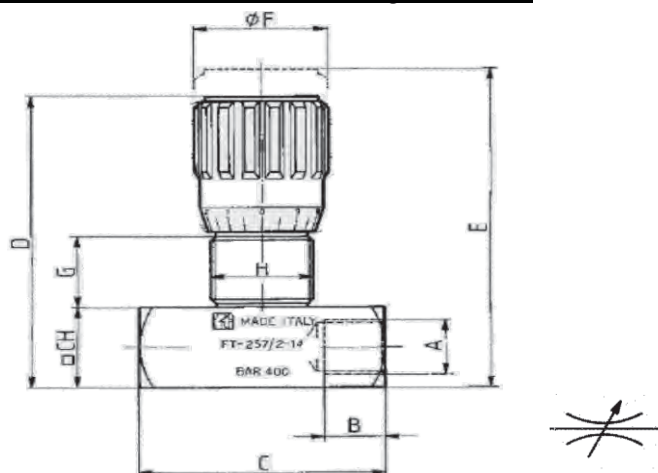
### Materials:

Body: 9SMnPb23 – UNI 5105  
 Needle: 35SMnPb10 – UNI 5105 Hardened  
 Seals: Nitrilic Mixture and PTFE  
 Handwheel: ABS (Plastic)

FT257/2-14-MP 1/4BSP SHUT-OFF VALVE  
 FT257/2-38-MP 3/8BSP SHUT-OFF VALVE  
 FT257/2-12-MP 1/2BSP SHUT-OFF VALVE  
 FT257/2-34-MP 3/4BSP SHUT-OFF VALVE  
 FT257/2-100-MP 1"BSP SHUT-OFF VALVE  
 FT257/2-114-MP 1 1/4BSP SHUT-OFF VALVE

# FLOW CONTROL VALVES

## FT 257/2 - BSP - Double Acting In Line



Type	A BSP	B	C	D	E	F	G	H	CH	Weight Kg
18	1/8	9	38	60.5	65.5	21.5	15	M17x1	16	0.110
14	1/4	12.5	48	71.5	78.5	26	17	M20x1	20	0.200
38	3/8	13.5	59	84.5	93.5	33	19	M25x1.5	25	0.375
12	1/2	15	67	97	107	37	20	M30x1.5	30	0.600
34	3/4	17	84	120.5	132.5	46	25	M40x1.5	40	1.250
100	1"	21	105	151.5	167.5	56	34	M50x1.5	50	2.550
114	1 1/4	23	120	156.5	172.5	56	34	M50x1.5	55	3.000

Type	Port section sq. cm	Working pressure	Min Burst pressure bar	Working temp. °C bar	Filtration grade µm	Max. flow rate
18	0.12	400	1600	-20/+100	25	10
14	0.19	400	1600	-20/+100	25	15
38	0.50	400	1600	-20/+100	25	30
12	0.78	400	1600	-20/+100	25	50
34	1.32	400	1600	-20/+100	25	80
100	2.26	320	1300	-20/+100	25	150
114	2.26	320	1300	-20/+100	25	200

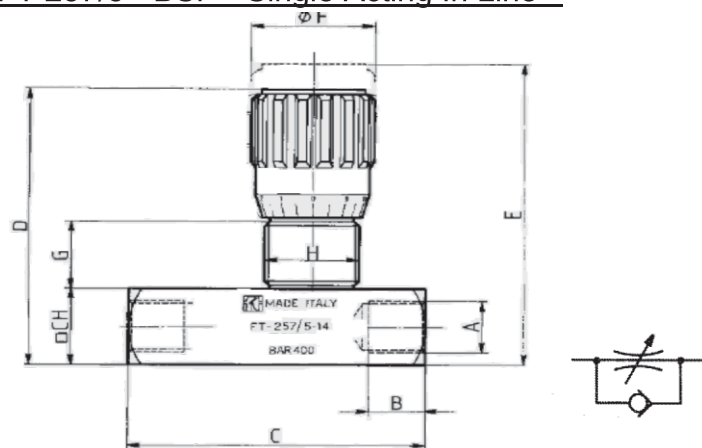
### Materials:

Body: 9SMnPb23 – UNI 5105  
 Needle: 35SMnPb10 – UNI 5105 Hardened  
 Seals: Nitrilic Mixture and PTFE  
 Knob: GE – AISi12 – UNI 5706 (Aluminium)

FT257/2-18	1/8BSP FLOW CONTROL VALVE, DOUBLE ACTING, IN LINE
FT257/2-14	1/4BSP FLOW CONTROL VALVE, DOUBLE ACTING, IN LINE
FT257/2-38	3/8BSP FLOW CONTROL VALVE, DOUBLE ACTING, IN LINE
FT257/2-12	1/2BSP FLOW CONTROL VALVE, DOUBLE ACTING, IN LINE
FT257/2-34	3/4BSP FLOW CONTROL VALVE, DOUBLE ACTING, IN LINE
FT257/2-100	1"BSP FLOW CONTROL VALVE, DOUBLE ACTING, IN LINE
FT257/2-114	1 1/4BSP FLOW CONTROL VALVE, DOUBLE ACTING, IN LINE
FT257/2-112	1 1/2BSP FLOW CONTROL VALVE, DOUBLE ACTING, IN LINE
FT257/2-200	2"BSP FLOW CONTROL VALVE, DOUBLE ACTING, IN LINE

# FLOW CONTROL VALVES

## FT 257/5 - BSP - Single Acting In Line



Type	A BSP	B	C	D	E	F	G	H	CH	Weight Kg
18	1/8	9	48	60.5	65.5	21.5	15	M17x1	16	0.130
14	1/4	12.5	65.5	71.5	78.5	26	17	M20x1	20	0.250
38	3/8	13.5	79	84.5	93.5	33	19	M25x1.5	25	0.500
12	1/2	15	94	97	107	37	20	M30x1.5	30	0.750
34	3/4	17	114	120.5	132.5	46	25	M40x1.5	40	1.600
100	1"	21	138.5	151.5	167.5	56	34	M50x1.5	50	3.050
114	1 1/4	23	157	156.5	172.5	56	34	M50x1.5	55	3.750

Type	Port section sq. cm	Working pressure	Min Burst pressure bar	W orking temp. °C bar	Filtration grade µm	Max. flow rate
18	0.12	400	1600	-20/+100	25	10
14	0.19	400	1600	-20/+100	25	15
38	0.39	400	1600	-20/+100	25	30
12	0.68	400	1600	-20/+100	25	50
34	1.13	400	1600	-20/+100	25	80
100	2.09	320	1300	-20/+100	25	150
114	2.09	320	1300	-20/+100	25	200

### Materials:

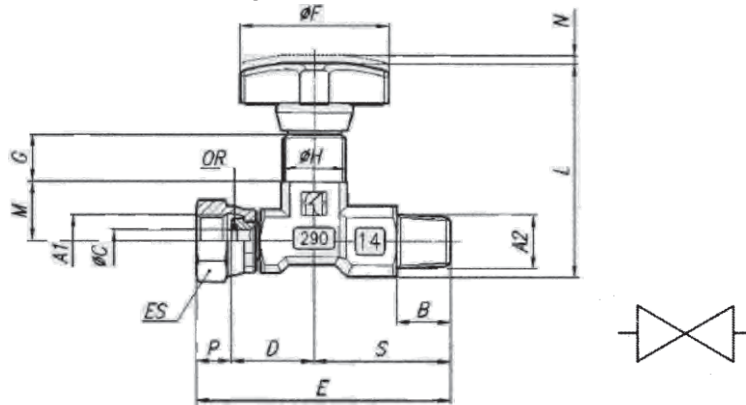
Body:	9SMnPb23 – UNI 5105
Needle:	35SMnPb10 – UNI 5105 Hardened
Seals:	Nitrilic Mixture and PTFE
Check Valve:	35SMnPb10 – UNI 5105
Spring:	C72 UNI 3545
End Plate:	35SMnPb10 – UNI 5105
Knob:	GE – AISi12 – UNI 5706 (Aluminium)

Ø Non return valve set at 0.35 Bar.

FT257/5-18	1/8BSP FLOW CONTROL VALVE, SINGLE ACTING, IN LINE
FT257/5-14	1/4BSP FLOW CONTROL VALVE, SINGLE ACTING, IN LINE
FT257/5-38	3/8BSP FLOW CONTROL VALVE, SINGLE ACTING, IN LINE
FT257/5-12	1/2BSP FLOW CONTROL VALVE, SINGLE ACTING, IN LINE
FT257/5-34	3/4BSP FLOW CONTROL VALVE, SINGLE ACTING, IN LINE
FT257/5-100	1"BSP FLOW CONTROL VALVE, SINGLE ACTING, IN LINE
FT257/5-114	1 1/4 BSP FLOW CONTROL VALVE, SINGLE ACTING, IN LINE
FT257/5-112	1 1/2 BSP FLOW CONTROL VALVE, SINGLE ACTING, IN LINE
FT257/5-200	2" BSP FLOW CONTROL VALVE, SINGLE ACTING, IN LINE

# FLOW CONTROL VALVES

## FT 290 - BSP - Gauge Isolator Valve



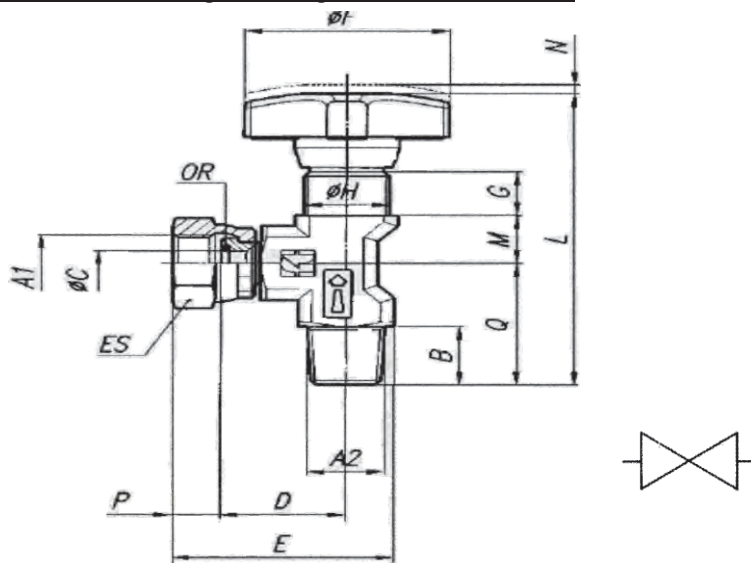
Type	A 1 BSP	A 2 BSP	B	C	D	E	F	G	H	L	M	N	P	OR	ES	Wt Kg
14	1/4	1/4	12	5.6	52	61.5	34	12	M15x1	53	15	2	9.5	2018	18	0.125
12	1/2	1/2														

**Materials:**

Body: 9SMnPb23 – UNI 5105 Pressure Forged  
 Needle: 35SMnPb10 – UNI 5105 Hardened  
 Seals: Nitrilic Mixture and PTFE

FT290-14 1/4"BSP GAUGE ISOLATOR VALVE  
 FT290-12 1/2"BSP GAUGE ISOLATOR VALVE

## FT 291 - BSP - Angle Gauge Isolator Valve



Type	A 1 BSP	A 2 BSP	B	C	D	E	F	G	H	L	M	N	P	Q	ES	Wt Kg
14	1/4	1/4	12	5.6	22	40	34	10	M15x1	65	11	2	9.5	27	18	0.105

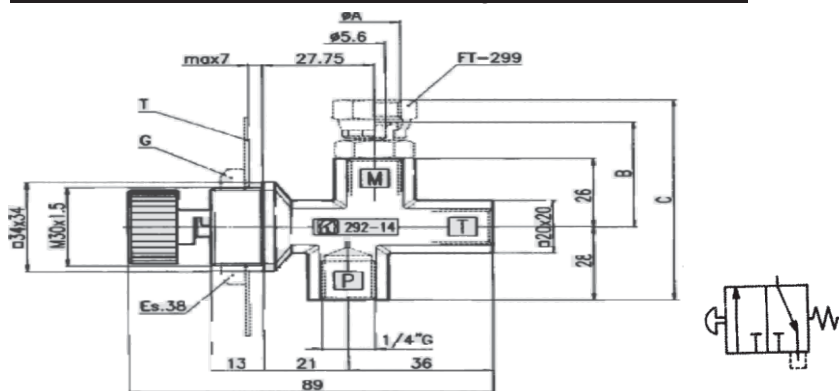
**Materials:**

Body: 9SMnPb23 – UNI 5105 Pressure Forged  
 Needle: 35SMnPb10 – UNI 5105 Hardened  
 Seals: Nitrilic Mixture and PTFE  
 Knob: Nylon

FT291-14 1/4"BSP ANGLE GAUGE ISOLATOR VALVE

# FLOW CONTROL VALVES

## FT 292 - BSP - Push Button Gauge Isolator Valve



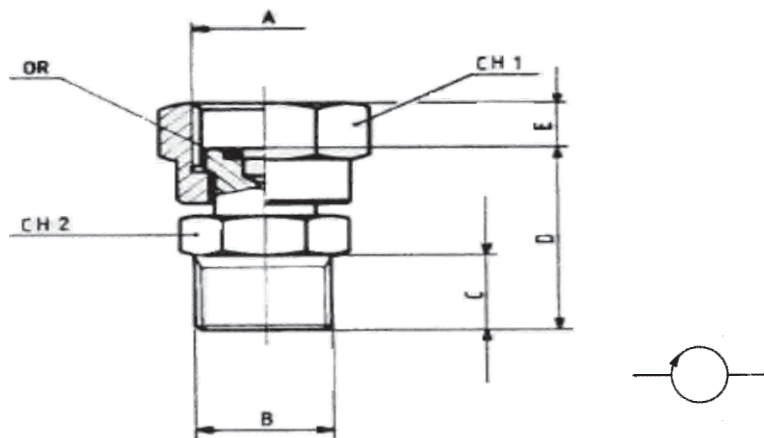
Type	A BSP	B	C
14	1/4	45	80

materials:  
 Body: 9SMnPb23 – UNI 5105 Pressure Forged  
 Needle: 35SMnPb10 – UNI 5105 Hardened  
 Seals: Nitrilic Mixture and PTFE  
 Push Button: Al11Si – UNI 3572 Anodized

FT292-14                                      1/4" BSP PUSH-BUTTON GAUGE ISOLATOR VALVE

## FT 299 - BSP- BSPT - Gauge Adaptors

## FT 2991 - BSP/BSP - Gauge Adaptors



Type	A BSP	B BSP	C	D	E	OR	CH1	H	Wt Kg
88	1/8	1/8	9	22	7.5	2010	14	12	0.021
44	1/4	1/4	12	27	9.5	2018	18	17	0.040
42	1/4	1/2	16	31	9.5	2018	18	22	0.068
24	1/2	1/4	12	31	11	108	27	22	0.090
22	1/2	1/2	16	34	11	108	27	22	0.100

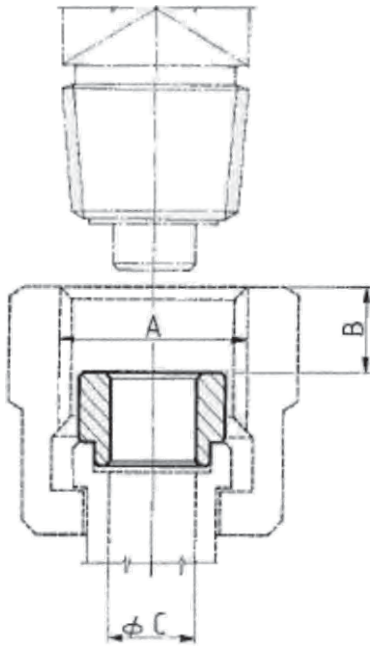
Materials:  
 Body: 9SMnPb23 – UNI 5105  
 Nut: 35SMnPb10 – UNI 5105  
 Seals: Nitrilic Mixture

FT299-88                                      GAUGE ADAPTOR, 1/8BSP FEM / 1/8BSPT MALE  
 FT299-44                                      GAUGE ADAPTOR, 1/4BSP FEM / 1/8BSPT MALE  
 FT299-42                                      GAUGE ADAPTOR, 1/4BSP FEM / 1/2BSPT MALE  
 FT299-24                                      GAUGE ADAPTOR, 1/2BSP FEM / 1/4BSPT MALE  
 FT299-22                                      GAUGE ADAPTOR, 1/2BSP FEM / 1/2BSPT MALE

FT2991-44                                      GAUGE ADAPTOR, 1/4BSP FEM/MALE  
 FT2991-42                                      GAUGE ADAPTOR, 1/4BSP FEM / 1/2BSP MALE  
 FT2991-24                                      GAUGE ADAPTOR, 1/2BSP FEM / 1/2BSP MALE  
 FT2991-22                                      GAUGE ADAPTOR, 1/2BSP FEM /MALE

# FLOW CONTROL VALVES

## FT 1201 - BSP - Copper Plugs for Gauge Adaptors



Type	A BSP	B	C	Wt Kg
14	1/4	6.5	5.5	0.200
12	1/2	8	6.5	0.700

Material: Cu – DHP – UNI 5649

FT1201-14 1/4" COPPER PLUG  
 FT1201-12 1/2" COPPER PLUG

## FT 202 - Panel Mounting Locknuts

FT202/2 PANEL RINGNUT M15x1  
 FT202/3 PANEL RINGNUT M17x1 (1/8" VALVE)  
 FT202/4 PANEL RINGNUT M20x1 (1/4" VALVE)  
 FT202/5 PANEL RINGNUT M25x1.5 (3/8" VALVE)  
 FT202/6 PANEL RINGNUT M30x1.5 (1/2" VALVE)  
 FT202/7 PANEL RINGNUT M35x1.5  
 FT202/8 PANEL RINGNUT M40x1.5 (3/4" VALVE)  
 FT202/10 PANEL RINGNUT M50x1.5 (1"- 1 1/4" VALVE)