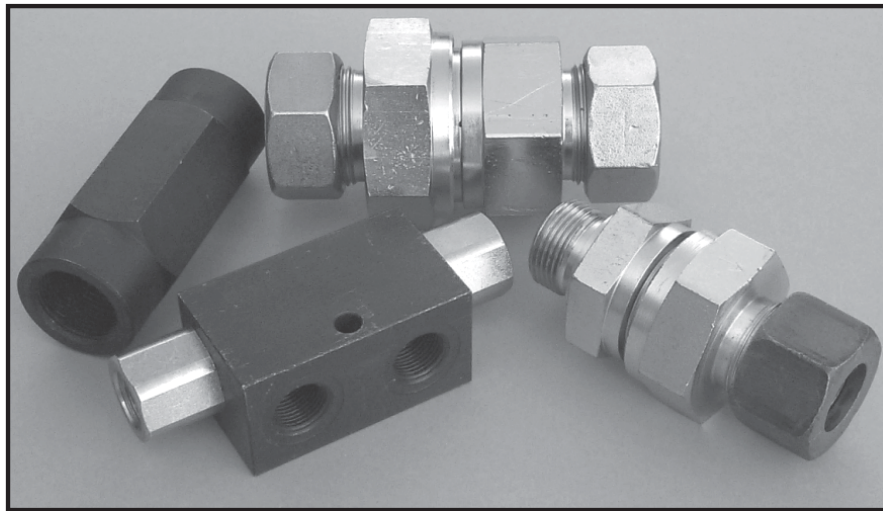


CHECK VALVES / NON-RETURN VALVES ROTARY UNIONS



Alba Hydraulics carries the BSP and NPT female threaded valves from Stucchi. Available in cracking pressures of 0.35, 1 and 4.5 bar (5, 14 and 65 PSI), these poppet type valves fulfil a very wide and diverse requirement.

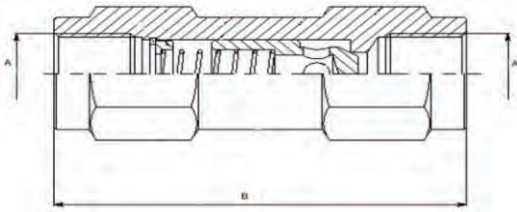
A smaller range of double-acting, pilot operated check valves, primarily used as safety valves on cranes and raised platforms is also available ex-stock.

The DIN 2353, Tube to Tube and Tube to Thread Range is also available.

Please call 011 458 1200 or email sales@alba.co.za for a quote

NON RETURN VALVES

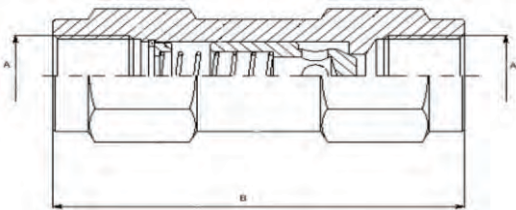
VU - BSP/NPT - 5 PSI / 0.35 BAR Cracking Pressure



Supplied in BSP & NPT

VU-1/8-5	1/8 CHECKVALVE 5 PSI / 0.35 BAR CRACKING PRESSURE
VU-1/4-5	1/4 CHECKVALVE 5 PSI / 0.35 BAR CRACKING PRESSURE
VU-3/8-5	3/8 CHECKVALVE 5 PSI / 0.35 BAR CRACKING PRESSURE
VU-1/2-5	1/2 CHECKVALVE 5 PSI / 0.35 BAR CRACKING PRESSURE
VU-3/4-5	3/4 CHECKVALVE 5 PSI / 0.35 BAR CRACKING PRESSURE
VU-1"-5	1" CHECKVALVE 5 PSI / 0.35 BAR CRACKING PRESSURE
VU-1 1/4-5	1 1/4 CHECKVALVE 5 PSI / 0.35 BAR CRACKING PRESSURE
VU-1 1/2-5	1 1/2 CHECKVALVE 5 PSI / 0.35 BAR CRACKING PRESSURE
VU-2"-5	2" CHECKVALVE 5 PSI / 0.35 BAR CRACKING PRESSURE

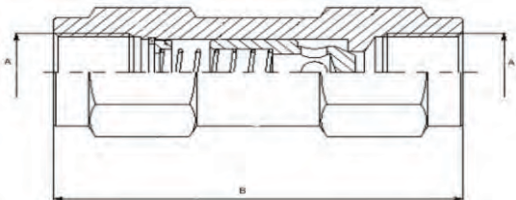
VU - BSP/NPT - 14 PSI / 1 BAR Cracking Pressure



Supplied in BSP & NPT

VU-1/4-14	1/4BSP CHECKVALVE 14 PSI / 1 BAR CRACKING PRESSURE
VU-3/8-14	3/8BSP CHECKVALVE 14 PSI / 1 BAR CRACKING PRESSURE
VU-1/2-14	1/2BSP CHECKVALVE 14 PSI / 1 BAR CRACKING PRESSURE
VU-3/4-14	3/4BSP CHECKVALVE 14 PSI / 1 BAR CRACKING PRESSURE
VU-1"-14	1"BSP CHECKVALVE 14 PSI / 1 BAR CRACKING PRESSURE
VU-1 1/4-14	1 1/4BSP CHECKVALVE 14 PSI / 1 BAR CRACKING PRESSURE
VU-1 1/2-14	1 1/2BSP CHECKVALVE 14 PSI / 1 BAR CRACKING PRESSURE

VU - BSP/NPT - 65 PSI / 4.5 BAR Cracking Pressure

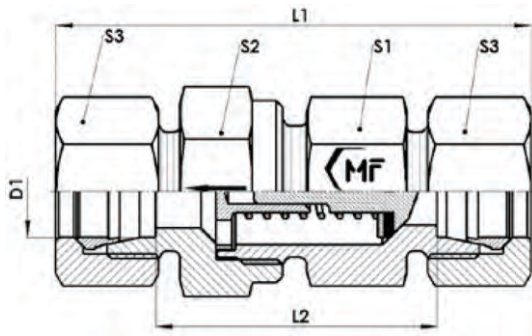


Supplied in BSP & NPT

VU-1/8-65	1/8 CHECKVALVE 65 PSI / 4.5 BAR CRACKING PRESSURE
VU-1/4-65	1/4 CHECKVALVE 65 PSI / 4.5 BAR CRACKING PRESSURE
VU-3/8-65	3/8 CHECKVALVE 65 PSI / 4.5 BAR CRACKING PRESSURE
VU-1/2-65	1/2 CHECKVALVE 65 PSI / 4.5 BAR CRACKING PRESSURE
VU-3/4-65	3/4 CHECKVALVE 65 PSI / 4.5 BAR CRACKING PRESSURE
VU-1"-65	1" CHECKVALVE 65 PSI / 4.5 BAR CRACKING PRESSURE
VU-1 1/4-65	1 1/4 CHECKVALVE 65 PSI / 4.5 BAR CRACKING PRESSURE
VU-1 1/2-65	1 1/2 CHECKVALVE 65 PSI / 4.5 BAR CRACKING PRESSURE
VU-2"-65	2" CHECKVALVE 65 PSI / 4.5 BAR CRACKING PRESSURE

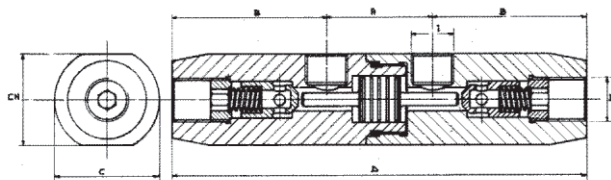
NON RETURN VALVES

RHD - 15 PSI / 1 BAR Cracking Pressure



Type	D1	L1	L2	PN (bar)
RDH-06-L	06	63,5	29	315
RDH-08-L	08	63,5	30	315
RDH-10-L	10	74,5	40,5	315
RDH-12-L	12	78,5	43,5	315
RDH-15-L	15	82,5	47,5	315
RDH-18-L	18	88,5	51,5	160
RDH-22-L	22	102	61,5	160
RDH-28-L	28	114	71,5	100
RDH-35-L	35	123	68,5	100
RDH-42-L	42	139	83	100
RDH-06-S	06	69	34,5	400
RDH-08-S	08	68	34,5	400
RDH-10-S	10	77,5	40,5	400
RDH-12-S	12	80,5	42,5	400
RDH-14-S	14	88,5	48	315
RDH-16-S	16	92,5	50,5	315
RDH-20-S	20	105,5	54,5	250
RDH-25-S	25	114	58,5	250
RDH-30-S	30	130,5	69,5	250
RDH-38-S	38	146,5	75,5	250

VBDP - BSP - Double Acting, Piloted



- Working Pressure: 200 Bar, Piloting Ratio: 1:4

VBDP38

3/8 BSP DOUBLE ACTING PILOTED CHECK VALVE

ROTARY UNIONS

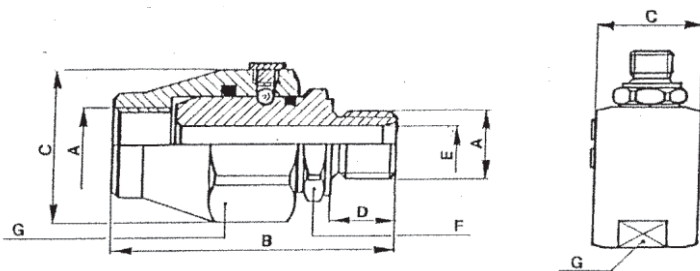
Primarily suited for applications where flexible hoses and rigid structures meet. This rotary union will allow the hose to swing freely (oscillate) and not cause the hose to take any twisting forces with would damage the hose over a period of time.

Using 1 or 2 rings of ball bearings and 2 seals in a 2-piece construction makes this union both cost-effective and compact.

These rotary unions are not designed for continuous 360° operation. The maximum recommended turning angle is 180°.

Working Temperature: -20°C to + 100°C
 Seals: NBR Rubber
 On request: Stainless 303/316 (subject to manufacturer's quantities).
 Other seals.

In Line



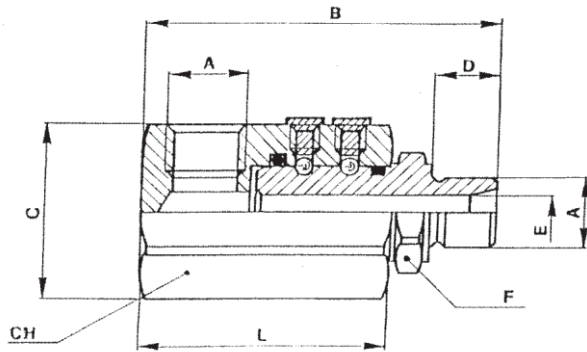
- 1/4" to 3/4" - Hex Body
- 1" to 2 1/2" - Round Body

Part #	A	B	C	D	E	F	G	Max. Rotating Pressure (Bar)	Max. Working Pressure (Bar)	Weight (gram)
GD-14	1/4"	61	33	11	6.5	ES.19	ES.30	200	400	220
GD-38	3/8"	66	37	14	9	ES.24	ES.34	200	400	270
GD-12	1/2"	70	42	15	12	ES.27	ES.36	150	300	350
GD-34	3/4"	79	50	19	16	ES.34	ES.45	150	300	550
GD-100	1"	90	∅ 55	21	20	ES.41	CH.50	100	300	840
GD-114	1 1/4"	101	∅ 60	24	28	ES.50	CH.55	100	300	1120
GD-112	1 1/2"	110	∅ 70	25	34	ES.55	CH.65	80	300	1800
GD-200	2"	118	∅ 85	27	44	ES.65	CH.75	50	250	2450
GD-212	2 1/2"	138	∅ 98	30	58	CH.80	CH.90	50	250	3700

- GD-14 1/4"BSP ROTARY UNION, IN LINE
- GD-38 3/8"BSP ROTARY UNION, IN LINE
- GD-12 1/2"BSP ROTARY UNION, IN LINE
- GD-34 3/4"BSP ROTARY UNION, IN LINE
- GD-100 1"BSP ROTARY UNION, IN LINE
- GD-114 1 1/4"BSP ROTARY UNION, IN LINE
- GD-112 1 1/2"BSP ROTARY UNION, IN LINE
- GD-200 2"BSP ROTARY UNION, IN LINE

ROTARY UNIONS

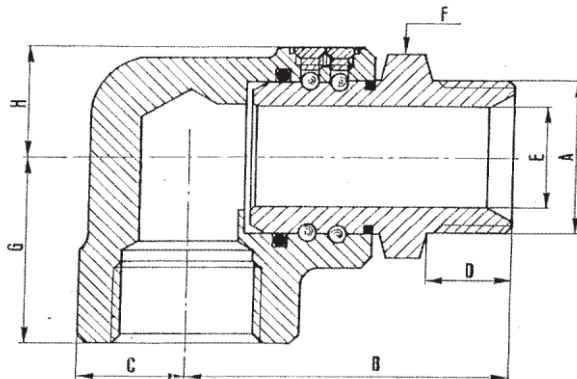
90 Degrees



Part #	A	B	C	D	E	F	G	CH	Sectional Passge Area (mm ²)	Max. Rotating Pressure (Bar)	Max. Working Pressure (Bar)	Weight (gram)	
	<i>BSP Parallel</i>												
G90-14	1/4"	69	30.5	11	6.5	ES.19	58	ES.30	33	200	400	290	
G90-38	3/8"	78	41.5	14	9	ES.24	63	ES.36	55	200	400	410	
G90-12	1/2"	86	44	15	12	ES.27	68.5	ES.38	95	150	300	560	
G90-34	3/4"	99	58	19	16	ES.34	79	ES.50	175	150	300	1050	
G90-100	1"	113	∅ 60	21	20	ES.41	90	∅ 60	314	100	300	1510	

- G90-14 1/4"BSP ROTARY UNION, 90 DEGREES
- G90-38 3/8"BSP ROTARY UNION, 90 DEGREES
- G90-12 1/2"BSP ROTARY UNION, 90 DEGREES
- G90-34 3/4"BSP ROTARY UNION, 90 DEGREES
- G90-100 1"BSP ROTARY UNION, 90 DEGREES

90 Degrees



- Forged to ANSI B 16.11 Series 3000 in ASTM A105

Part #	A	B	C	D	E	F	G	H	Sectional Passge Area (mm ²)	Max. Rotating Pressure (Bar)	Max. Working Pressure (Bar)	Weight (gram)	
	<i>BSP Parallel</i>												
G90-114	1 1/4"	92	31.5	24	28	ES.50	56.5	31.5	615	100	300	1700	
G90-112	1 1/2"	104	38	25	34	ES.55	62	38	907	80	300	3300	
G90-200	2"	111	45	27	44	ES.65	67	42	1520	50	250	3500	
G90-212	2 1/2"	135	55	30	58	CH.80	83	55	2460	50	250		

- G90-114 1 1/4"BSP ROTARY UNION, 90 DEGREES
- G90-112 1 1/2"BSP ROTARY UNION, 90 DEGREES
- G90-200 2"BSP ROTARY UNION, 90 DEGREES