



AIR CYCLODUCT

Inline cyclone pre-filtration for the removal of large, heavy particles.



AIRCURE

DESIGNING CLEAN AIR **FOR LIFE**

AIR CYCLODUCT

Inline cyclone pre-filtration for the removal of large, heavy particles.

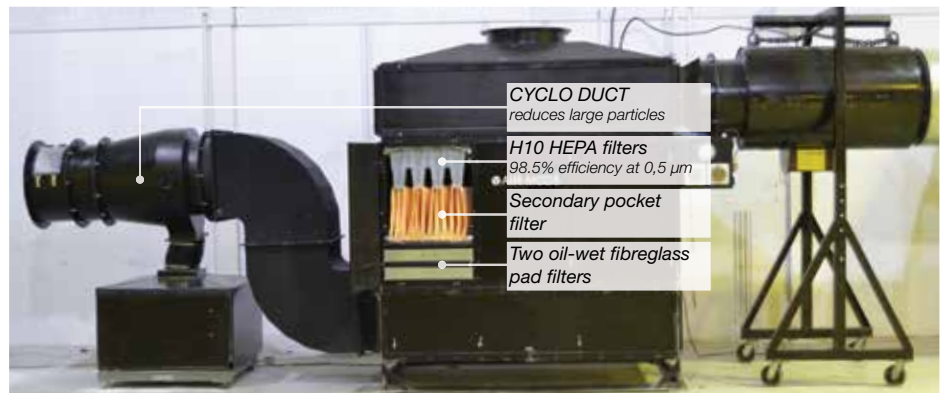


AIR CYCLODUCT prefilter removes large particles prior to them reaching the filter system, for longer filter life. AIR CYCLODUCT plugs directly into the ducting before the filters.

Product Information

- **Fits to all existing or new filter systems**
- 70% more compact*
- Horizontal in design
- Equal in efficiency (80-90% large particles)*
- Fits to all existing ducting
- CYCLODUCT prefilter is designed to remove large particles prior to them reaching the filter system (for longer filter life)
- Easy to install and maintain
- Small footprint
- Locally manufactured in South Africa
- Can be exported worldwide

- *Compared to a traditional cyclone*



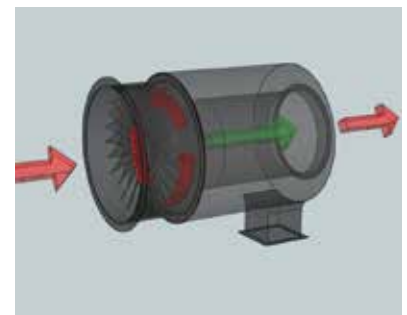
The AIR CYCLO DUCT shown here with AIR MOD5 - the CYCLODUCT drops out large particles, extending the life of the filters in the AIR MOD5.

Environomics Features

- ✓ Save filters: Reduce your environmental impact by extending the life of your filters. AIR CYCLODUCT remove large particles prior to them reaching the filter system.
- ✓ AIR CYCLODUCT is cheaper than traditional vertical cyclones.
- ✓ Upgrade existing systems with AIR CYCLODUCT to reduce costs and wastage



Fine dust removed by the AIR CYCLODUCT during a recent AIRCURE presentation.



The principle of cyclonic filtration at work.