



## **ELECTRIC LIFT TRUCK COUNTER BALANCED TRUCK**

**Low Profile Series  
FBC20/25/30**

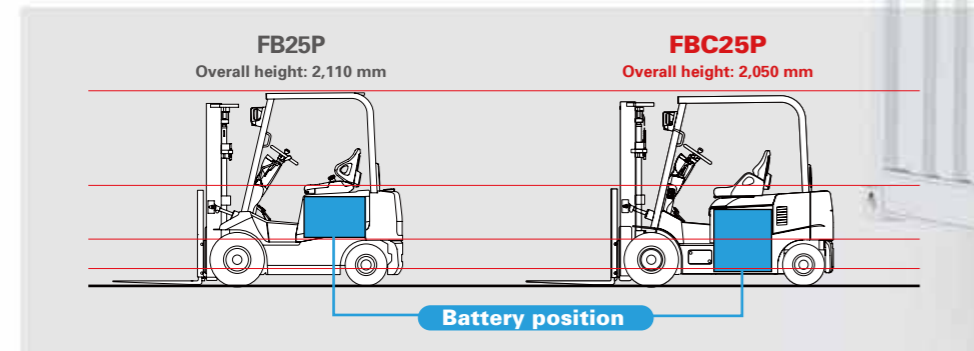


# Low Height

Handles all ISO-compatible containers.

At only 2,050 mm high, it can also enter into reefer containers easily.

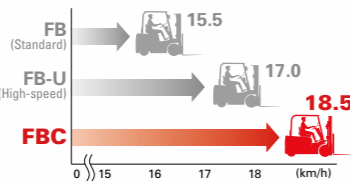
Introducing the key to "modal shift" - the battery forklift that is equivalent to engine-powered forklifts for container loading & unloading.



## High Power

### Travel speed

Acceleration performance is improved, as well as traveling speed. The speedy movement and tight-space turning performance significantly increase work efficiency.



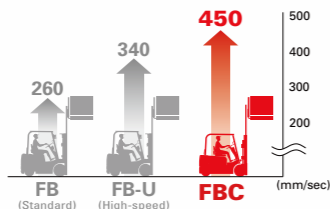
### Gradeability

The powerful AC motor provides increased gradeability, which have, in the past, been regarded as weak points of conventional battery forklifts.



### Lift speed

Lift speed and inching performance are significantly improved.



### Working performance

In spite of great performance improvement, FBC series have achieved the equivalent level of working cycle to the conventional standard counter balanced model. Moreover, SICOS-AC, effective control system realizes great energy saving.

## Comfortable



### Easy operation same as engine forklifts

Since a 70 volts battery based on a new concept is embedded at a lower position between the axles, the FBC provides large capacity and low profile. Furthermore, since the footstep is positioned lower, an operator can more easily get on and get off the truck.

### Ergonomic design

A new cushion material is used on the footstep to suppress impact to the operator's knees. Also, the reclining seat with suspension is a standard feature. Since the cover on the riding side is formed in a smooth curve, an operator can smoothly get on and off the truck.



### VFD display with excellent outdoor visibility

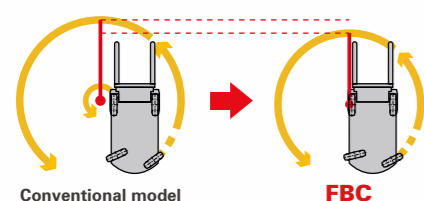
The FBC is equipped with a multi-display that enables centralized control of individual functions.

## Stable

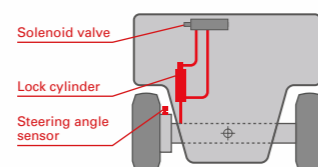


### Excellent turning performance & stability

The FBC uses the hydrostatic power steering control system that provides 100% full turn steering angle of the rear wheels. Furthermore, on-demand control ensures energy-saving. When turning and accelerating/decelerating, the FBC locks the rear wheel axle so that it will not swing. When traveling straight ahead at a constant speed or a low speed, the rear wheels swing to stabilize the truck. Furthermore, the extended wheel base and tread ensure stability at all times.



#### ■ Rear axle lock



#### ■ Long wheel base and wide tread rear wheels



## Reliable

### Nichiyu original safety cruise

When stopping on a slope, the truck moves at a constant speed of 1km/h even if the accelerator/brake pedal is released. Also, when the accelerator is released descending a slope, the truck maintains the initial speed. It is an advanced function unique to Nichiyu.



### Neutral safety function and battery emergency lever

The neutral safety function prevents unintended operation even if the key switch is accidentally turned ON when the accelerator/hydraulic lever is activated. Also, the FBC is equipped with a lever that enables a seated operator to connect or disconnect the battery plug.

### Safety design for outdoor work in the rain

The FBC provides "IPX3" rainproof enclosure rating, ensuring safe operation outdoors in the rain. Even if the truck body is exposed to rain falling vertically or at angles of up to 60°, it will not be adversely affected.

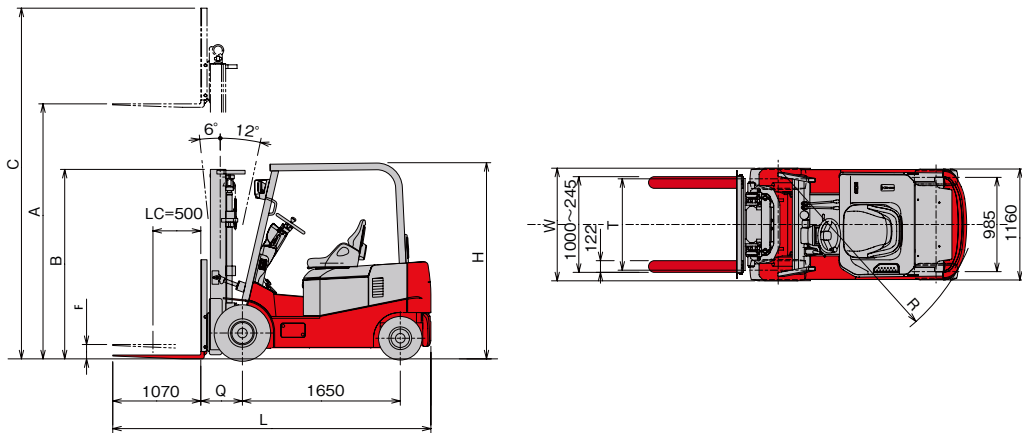


### Maintenance-free

Through AC control for traveling and hydraulic operations, the FBC eliminates motor brushes and contactors. It needs no maintenance costs for engine oil, element, fan belt and clutch maintenance, which is essential for engine powered forklift trucks.

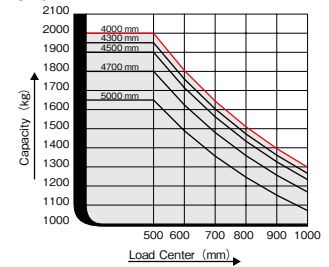
# Counter Balanced Truck Low Profile Series

## ● Standard Specifications

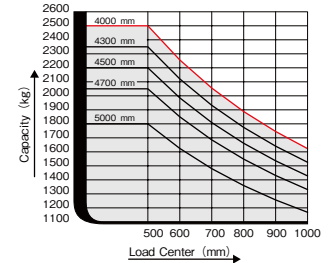


Models				FBC20	FBC25	FBC30	
Performance	Capacity		kg	2000	2500	3000	
	Load Center		mm	500			
	Lifting Height		A mm	3000			
	Free Lift		F mm	150		155	
	Lift Speed	Laden		mm/s	450	400	
		Unladen		mm/s	600	550	
	Travel Speed	Laden	Pneumatic, Single	Std.	16.5	15.0	
			No-puncture, Single	Opt.	15.5	14.0	
		Unladen	Pneumatic, Single	Std.	18.5	16.5	
			No-puncture, Single	Opt.	17.5	15.5	
Min. Turning Radius		R mm	2155	2210			
Min. 90° Turning Aisle *		mm	1920	1985			
Gradeability (Laden/Unladen)		%	19/25	16/22			
Dimensions	Overall Length		L mm	3475	3555		
	Overall Width	Single	Std.	W mm	1175	1240	
		Double(PW)	Opt.	mm	1535	—	
	Overall Height	Overhead Guard		H mm	2050		
		Mast Lowered		B mm	1980		
		Mast Extended		C mm	4000		
	Fork L×T×W		mm	1070×36×122	1070×40×122	1070×44×122	
	Wheelbase		mm	1650			
	Road Clearance		mm	95			
	Front Overhang		Q mm	435		470	
Tread	Front		T mm	955	1005		
	Rear		mm	985			
Service Weight (W/O Battery)		kg	3025	3025	3355		
Tyres	Front	Pneumatic, Single	Std.	23×9-10-16PR		23×9-10-20PR	
		No-puncture, Single	Opt.	23×9-10 SOLID			
		Pneumatic, Double	Opt.	6.50-10-10PR			
	Rear	Pneumatic, Single	Std.	18×7-8-14PR			
No-puncture, Single		Opt.	18×7-8 SOLID				
Motor	Traction	60min. Rating	kw	10.0			
		Control		Inverter Control			
	Hydraulic	5min. Rating	kw	20.0			
		Control		Inverter Control			
Power Steering	60min. Rating	kw	1.8				
	Control		Inverter Control				
Battery	Volts/Ampere hrs(5HR)		V/Ah	70/370	70/470	70/600	
	Mass(with Case)		kg	905	1225	1475	
Charger	Automatic Stationary Charger						
	Input		φV	3/200			
	Capacity		KVA	11	12.8	12.8	

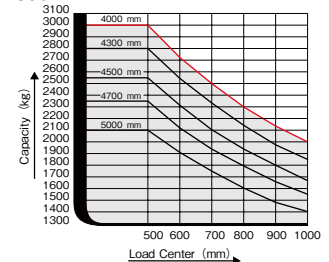
FBC20P



FBC25P



FBC30P



\* 1100×1100 pallet, no clearance included

All specifications have been determined according to Nichiyu's terms and conditions. Specifications are subject to change without notice in the interests of product improvement.

# NICHIYU

Nippon Yusoki Co., Ltd.

1-1, 2-Chome, Higashikotari, Nagaokakyo-shi, Kyoto 617-8585 JAPAN  
Tel: +81-(0)75-956-8622 Fax: +81-(0)75-955-0480 URL: <http://www.nichiyunet.co.jp/en>

CAT No.OSD093/K70-1 Printed in Japan 5000/0909(SK)